

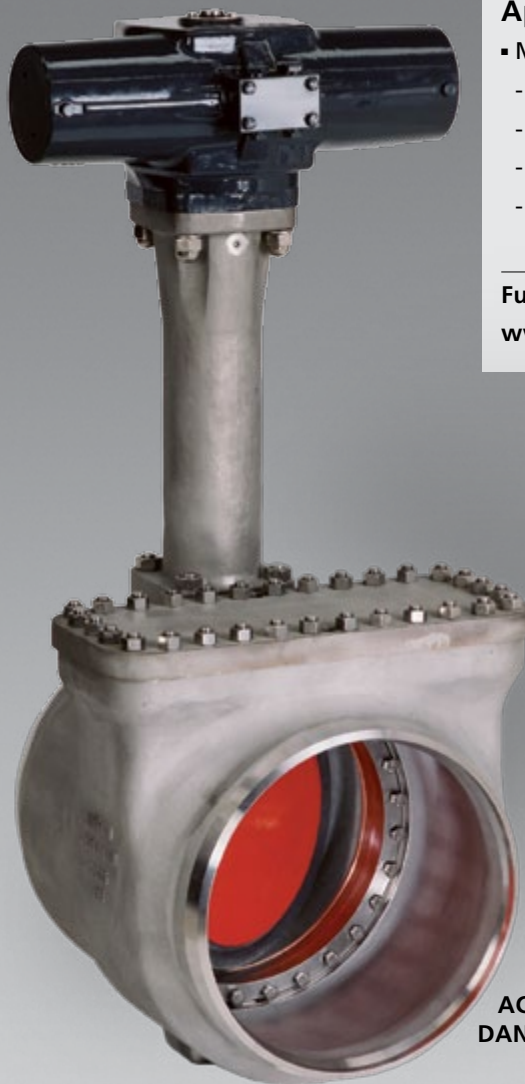
ACTO, Double-acting hydraulic actuator



ACTO 25 with
DANAIS 150T LUG DN 150



ACTO 25 with
DANAIS 150C T1 DN 200



Applications:

- Marine
- Cargo system
- Ballast system
- Fighting-fire system
- Treatment of ballast water

Further information:

www.ksb.com/products

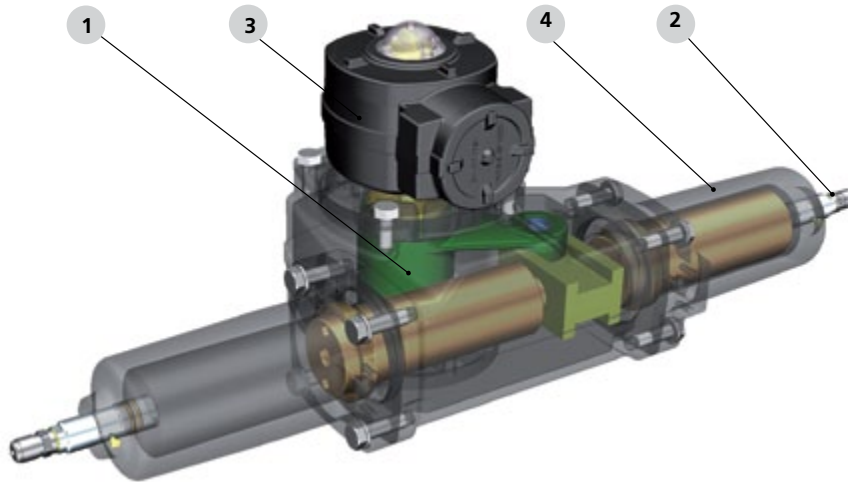
Your contact:

┌

└

ACTO Double-acting hydraulic actuator

● For the actuation of any kind of ¼ turn valves



1 Torque curve kinematics specially adapted for ¼ turn valve

- Rack-and-pinion up to 2000 Nm which offer the most economical solution with a fairly constant torque throughout the stroke
- Patented AMRI yoke kinematics from 2000 Nm which offer an extra additional torque during the stroke to cover potential hydrodynamic torque from the valve

2 Easy and precise valve position adjustment

Thanks to adjustable end stop in open and close position

3 Valve monitoring with all AMTROBOX range or any kind of signalization box

Thanks to VDI/VDE 3845 top plate interface

4 Heavy-Duty actuator for extreme environment

- Special cast iron bodies for low temperature
- Submersible in sea water, crude oil and other product

Manual emergency control

- Thanks to manual declutchable handgear on option
- Thanks to hydraulic quick coupling for manual and hand pump

Technical Data

Temperature range	Standard version -20 °C à +80 °C Winterized version -50 °C à +80 °C High temperature version -20 °C à +120°C
Control pressure	Up to 120 bar
Output torques	Up to 125000 Nm
Tightness	IP 68 - can be submerged under 40 meters of water, oil...
Flange	According to ISO 5211
Top interface	VDI/VDE 3845

Accessories for hydraulic control

- Isolating valve
- Hydraulic locking
- Emergency shutdown (ESD)

Automation

- All AMTROBOX limit switch box



KSB Aktiengesellschaft
Johann-Klein-Straße 9
67227 Frankenthal (Germany)
www.ksb.com