

## Applications

- All sectors of Water, Energy and Industry markets.

## General information

- AMTROBOX C (RA01290) is specially designed for ACTAIR and ACTAIR-B pneumatic actuators, for MR manual actuators marine version and actuators with VDI/VDE interface.
- This box ensures the Open/Close position detection function:
  - by 2 golded mechanical limit switches SPDT - 250V - 10A, or
  - by proximity detectors IFM IS5026 2 wires NO/NC and PNP/NPN - supply voltage 5-36 VDC.
- Cams can be adjusted without tools for position detection makes it very reliable and easy to adjust.
- Electrical connection is made by 1 packing-gland ISO M20 x1,5 plastic provided, for wire dia. 6 to 12 mm. Terminal block, max. section: 1,5 mm<sup>2</sup>.
- Indication of valve position is realized by two-tone visual pointer of big size under transparent cover.
- The mounting on actuator is realized without bracket, on VDI/VDE 3845 interface (80x30, axis 20mm). Thus, overall dimensions are reduced.
- Electromagnetic compatibility:
  - Generic standards: EN 61000-6-2 ; EN 61000-6-4
  - Tests standards: EN 55011 ; EN 61000-4-2 ; EN 61000-4-3 ; EN 61000-4-4 ; EN 61000-4-5 ; EN 61000-4-6

## Protection

- Protection level: IP 67 according to EN 60529

## Temperature range

- From -20 °C to +80 °C

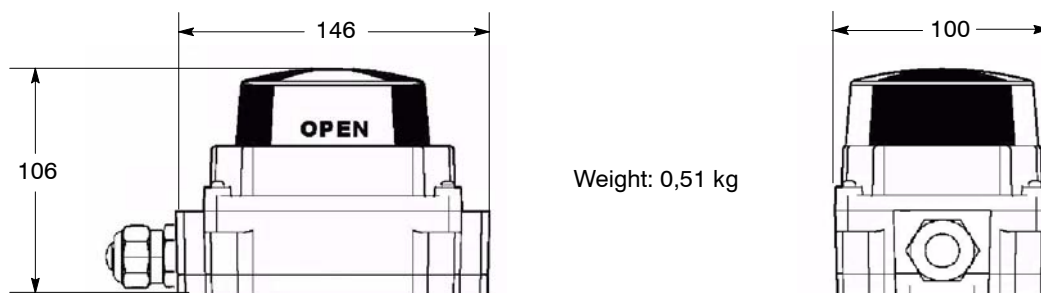
## Materials

- Lid: Polycarbonate
- Base plate: ABS
- Shaft, nut and bolt: Stainless steel

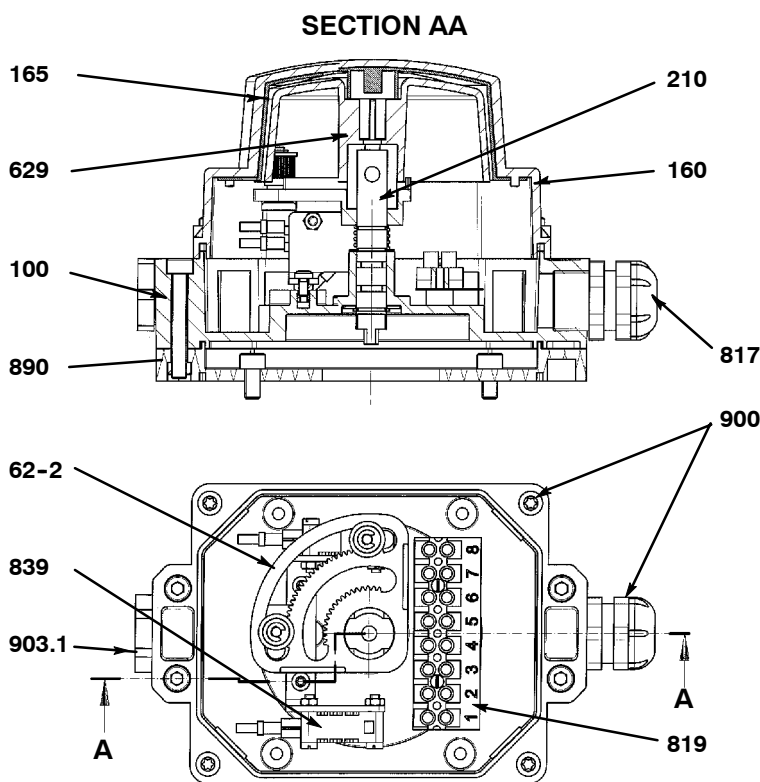
## Remarks

- Operating instructions 8525.81/.-90 Ref. 42 390 659

Overall dimensions (mm) and weight (kg)



Construction



Reference	Designation	Materials
100	Housing	ABS
890	Base plate VDI / VDE 3845	ABS
160	Lid	Polycarbonate
210	Shaft	Stainless steel
629	Visual pointer	
165	Specific cover for visual pointer	
900	Bolting	Stainless steel
62-2	Sub-unit adjustable cams	
819	Terminal block for electrical connection	
839	Limit switches or proximity detectors	
817	Packing gland	
903.1	Plug	

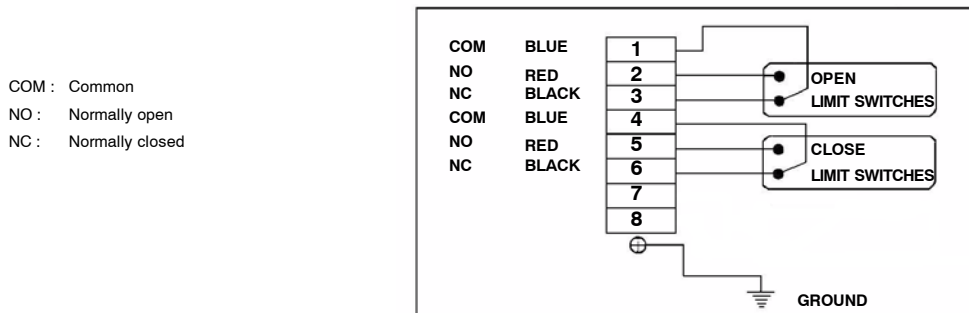
## Position detection by limit switches

- Detection by 2 mechanical switches: 1 on open position and 1 on closed position, starting position adjustable by cam for each contact
- Electrical connection

### Characteristics

Type	SPDT - golded
Operating voltage	250V - 10A
Temperature	-20 °C to +80 °C

### Wiring diagram



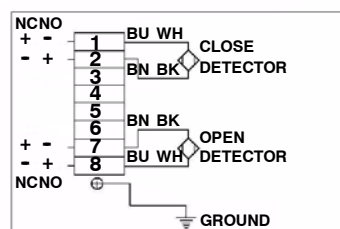
## Position detection by inductive proximity detectors

- Detection by 2 inductive proximity detectors : 1 on open position and 1 on closed position, starting position adjustable by cam for each detector
- Electrical connection

### Characteristics

Manufacturer	IFM
Reference	IS5026 2 wires NO/NC
Operating voltage	5 to 36 V direct current
Current rating/continuous and peak	200 mA
Minimum load current	4 mA
Maximum voltage drop	< 4,6V
Residual current	< 0,8 mA
Maximum switching frequency	2 kHz
Output status indication	by yellow LED

### Wiring diagram

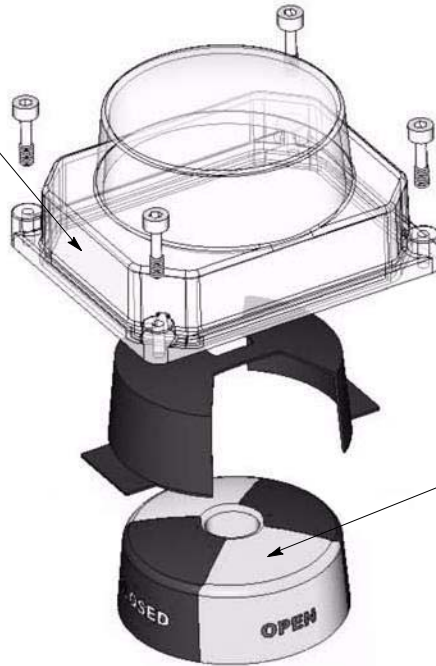


## Electrical connection

- Connection through packing gland M20 x 1.5.  
Tightening capacity: cable external diameter 6 to 12 mm.

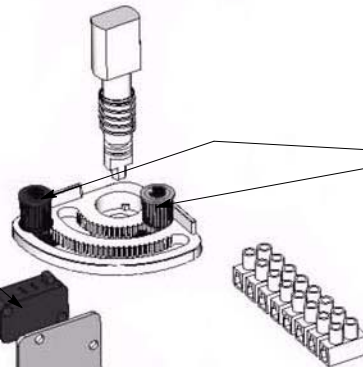
**Product features - to our Customers' Benefit**

**Vizualisation of instrumentation :**  
State of the mechanical microswitches and proximity detectors of the connections thanks to the transparent lid.



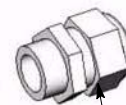
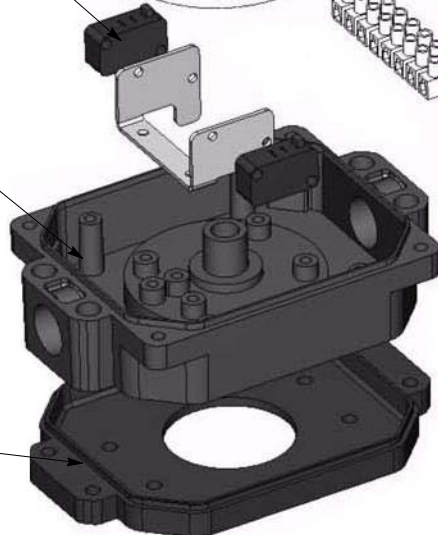
**Vizualisation of the position**  
by big size pointer

**Golded mechanical switches or proximity detectors:**  
On opening and closing detection



**Facility of adjustment**  
of the limit positions of detection without tool

**Corrosion resistance:**  
Composite materials, and stainless steel shaft and bolt



**Electrical connection**  
by packing gland

**Compactness:**  
Mounting on VDI / VDE 3845 base plate



Protection level IP 67

This leaflet is not contractual and may be amended without notice

18.05.09

8525.178/4-10