

Applications

- All sectors of Water, Energy and Industry markets.

General information

- AMTROBOX S (RA01195) is specially designed for ACTAIR series of double acting pneumatic actuators and DYNACTAIR series of single acting pneumatic actuators.
- This box integrates the On/Off position detection by 2 mechanical limit switches CROUZET 83 161 304 W6 A5 type.
- Detection Opening +5°
Detection Closing +90°
- The electrical connection is made:
 - as standard: a 7 pins connector
 - as option: cable to be connected
- Indication of valve position is made by two-tone visual pointer.
- The mounting on actuator is made on VDI/VDE 3845 interface (80x30, shaft 20mm): overall dimensions are reduced.
- Manual override possible by air lock on ACTAIR 3, 6 and 12.

Protection

- Protection level: IP 65 according to EN 60529 standard with connector
- Protection level: IP 67 according to EN 60529 standard with cable output

Temperature range

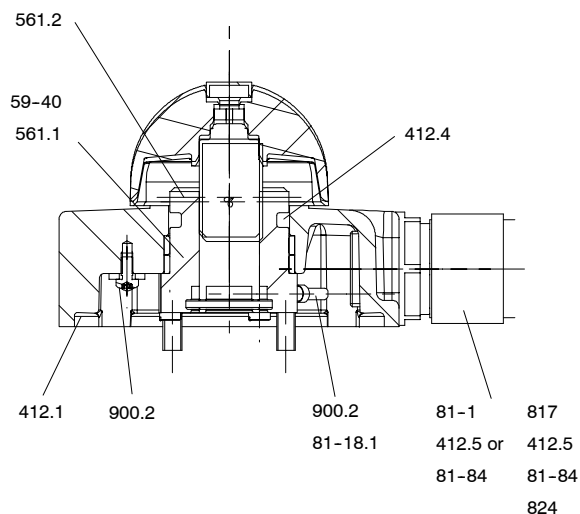
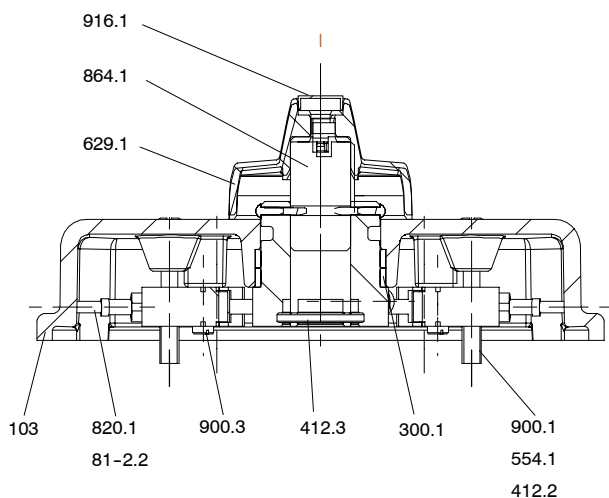
- From -20 °C to +80 °C

Materials

- Cover : cast iron coated by black cathoporesis
- Driving square : zinc plated steel
- Bolting : stainless steel

This leaflet is also to be used as a start-up guide reference 42 389 382

Construction

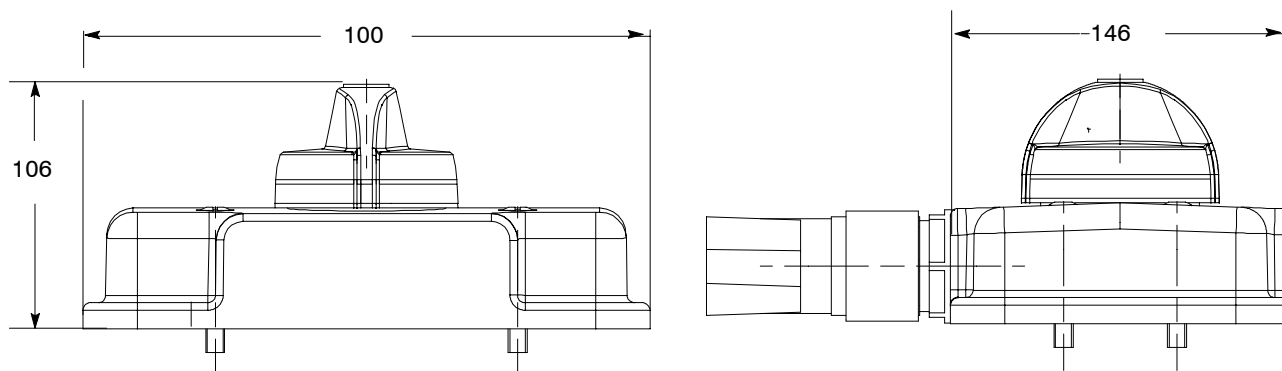


Item	Designation	Materials
103	Housing	Cast iron JL 1040 coated cataphoresis
58-40	Chuck	Zinc plated steel
300.1	Lower bearing	Acetal
412.1	O-Ring	Nitrile
412.2	O-Ring	Nitrile
412.3	O-Ring	Nitrile
412.4	O-Ring	Nitrile
412.5	O-Ring	Nitrile
554.1	Plain washer	Stainless steel
561.1	Grooved nail	Steel
561.2	Grooved nail	Stainless steel
629.1	Signalling pointer	Polyamide 6-6 + anti U.V. treatment
81.1	Connector 7 pins	
81-2.2	Wire for connector version	
81-18.1	Cable socket	
81-84	Coupling wiring	Aluminium
817	Packing gland	
820-1	Clip	
824	Cable	
864.1	Driving square	Zinc plated steel
900.1	Cheese-head screw	Stainless steel A2-70
900.2	Self cutting screw	Zinc plated steel
900.3	Cheese-head screw	Zinc plated steel
916.1	Plug	

Version without pointer

This version is designed for reducing of box height.
In this case, manuel override is not possible.

Dimensions (mm) and weight (kg)



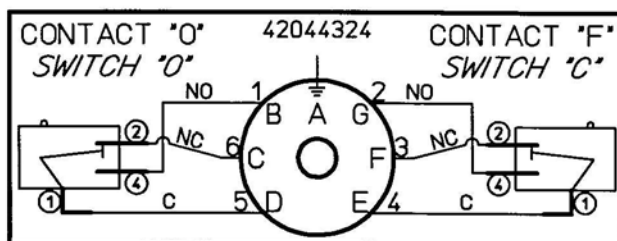
Weight: 1,2 kg

Wiring diagrams

STANDARD

Connector 7 pins

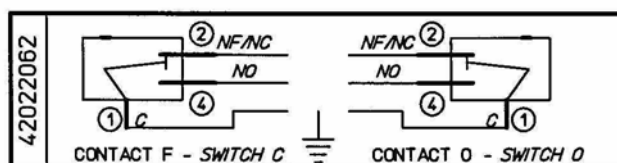
This connector permits to connect the box without dismantling the box onto actuator.



OPTION

Cable for connection

This connection is made respecting the color code according to diagram hereunder:



Manual override by air lack

This function is designed for ACTAIR 3, 6, 12 actuators and permits the operating of the actuator using a square key 16 mm.



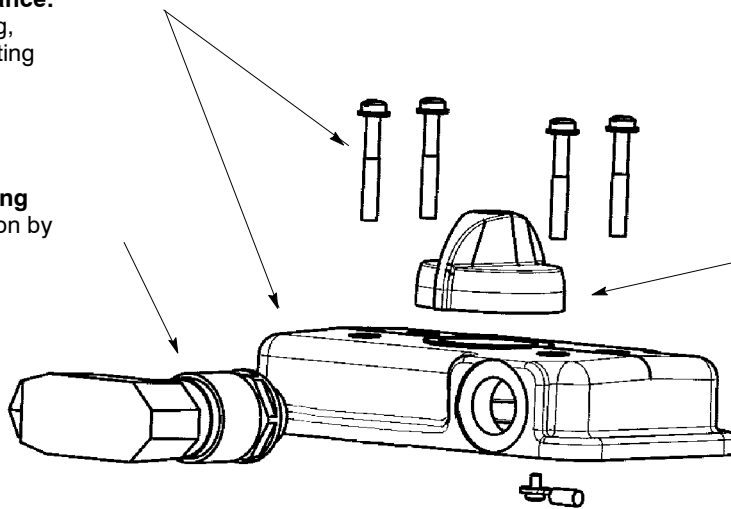
Product features - to our Customers' Benefit

Limit switch box with robust design for harsh applications

Corrosion resistance:
catoforesis coating,
stainless steel bolting

Easy commisioning
electrical connection by
connector
or cable output

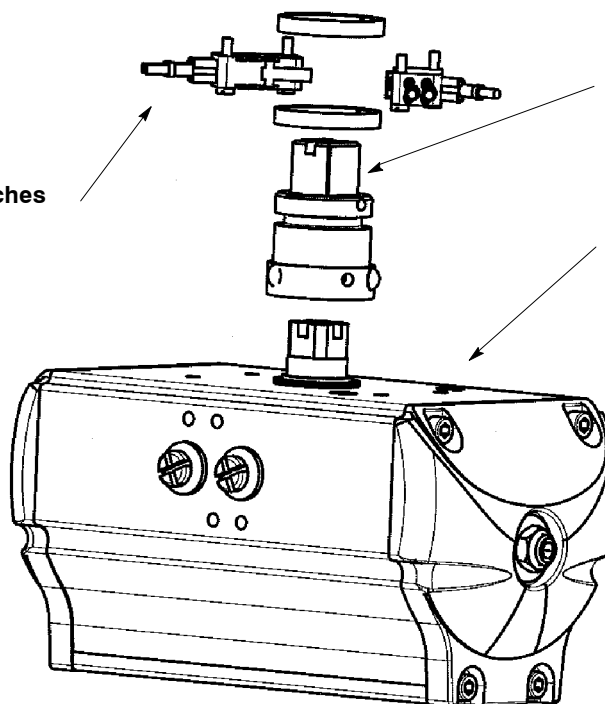
Vizualisation of the position
by big size pointer



Manual override possible
by air lack
on ACTAIR 3, 6 and 12.

Golded mechanical microswitches
on open and close detection

Compactness:
Mounting on interface
VDI / VDE 3845
without bracket



This leaflet is not contractual.
and may be amended without notice

29.10.07

8525.13/1-10